

iQ Coral

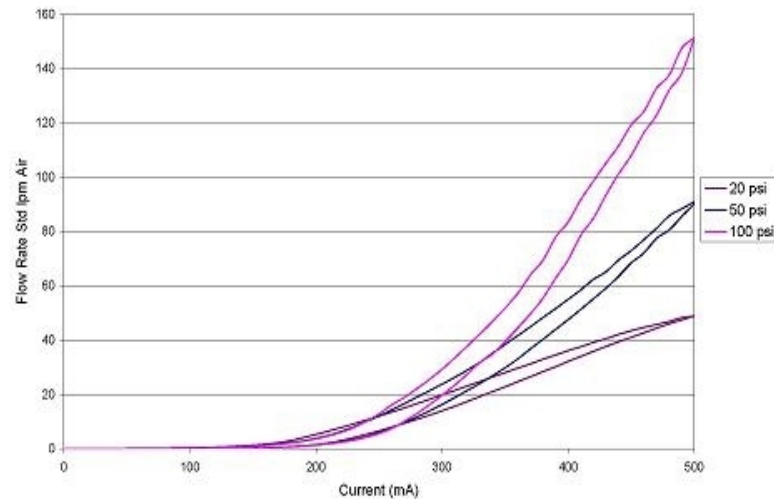
The **iQ Coral** is a lower mid range proportional valve in iQ Valves valve family. This innovative design is the result of 5 different patented designs by iQ Valves. These valves have a smaller orifice so they offer less flow rate than the Standard proportional valve at the same pressure. They are available in two different versions: non-isolation and medium isolation using the diaphragm. The iQ Coral is available in three different mounting options: standalone, screw in mount and manifold mount which offer mounting flexibility. Signal Amplifiers are also available to control these valves using 0 - 5V, 0 - 10V or a 4 - 20 mA control signal.

General Performance Specification

Function:	2 Way Normally Closed
Orifice Size Range:	.032" to .093"
Hysteresis:	< 10%
Time Response:	< 20 msec
Pressure Range:	0 - 100 PSI
Seal Material:	Nitrile, FKM
Temperature Range:	
Nitrile:	-40 to 250° F
FKM:	-20 to 400° F
Wetted Material:	Al & 300 Series SS
Fluid:	Gases & Liquids
Voltage Range:	6 to 24 volts
Lead Wires:	22 AWG 6" long
Weight - Al Base:	4 Oz.

Typical Flow Characteristics

Coral PFCV 0.093 12V

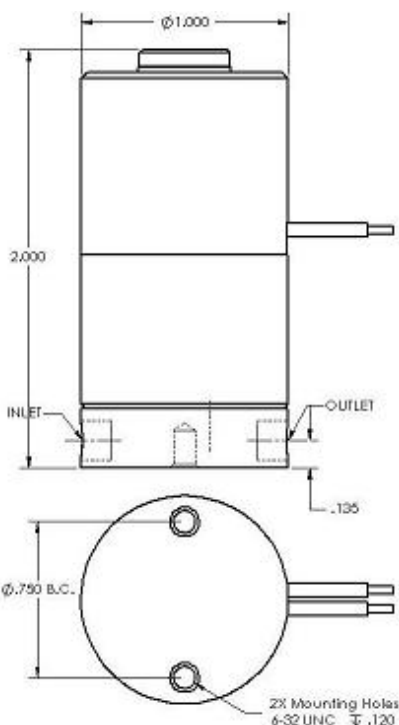


NON-ISOLATED SPECIFICATIONS

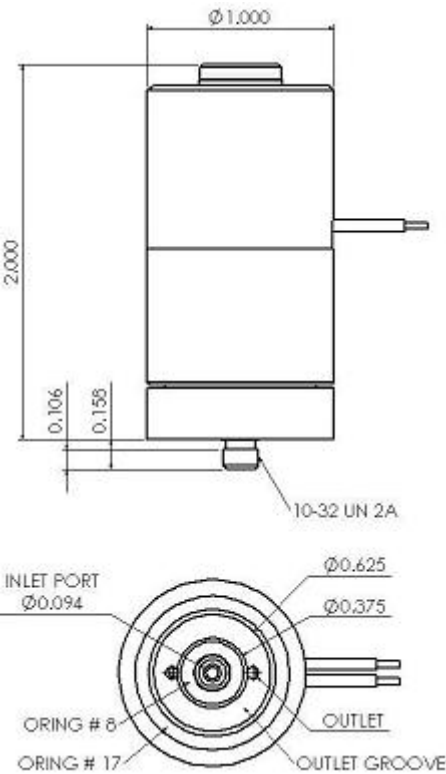
PART NUMBER	ORIFICE SIZE	VOLT	POWER WATTS	INLET NPT	OUTLET NPT	FLOW @ 100 PSI LPM	PRICE (EA)
930112	0.032	12	6.00	10-32	10-32	35	\$92.32
930212	0.062	12	6.00	10-32	10-32	90	\$92.32
930312	0.093	12	6.00	10-32	10-32	125	\$92.32
930124	0.032	24	6.00	10-32	10-32	35	\$92.32
930224	0.062	24	6.00	10-32	10-32	90	\$92.32
930324	0.093	24	6.00	10-32	10-32	125	\$92.32

ISOLATED DIAPHRAGM SPECIFICATIONS

PART NUMBER	ORIFICE SIZE	VOLT	POWER WATTS	INLET NPT	OUTLET NPT	FLOW @ 100 PSI LPM	PRICE (EA)
930112-D	0.032	12	6.00	10-32	10-32	35	\$123.45
930212-D	0.062	12	6.00	10-32	10-32	90	\$123.45
930312-D	0.093	12	6.00	10-32	10-32	125	\$123.45
930124-D	0.032	24	6.00	10-32	10-32	35	\$123.45
930224-D	0.062	24	6.00	10-32	10-32	90	\$123.45
930324-D	0.093	24	6.00	10-32	10-32	125	\$123.45



SCREW-IN MOUNT: NON-ISOLATED SPECIFICATIONS



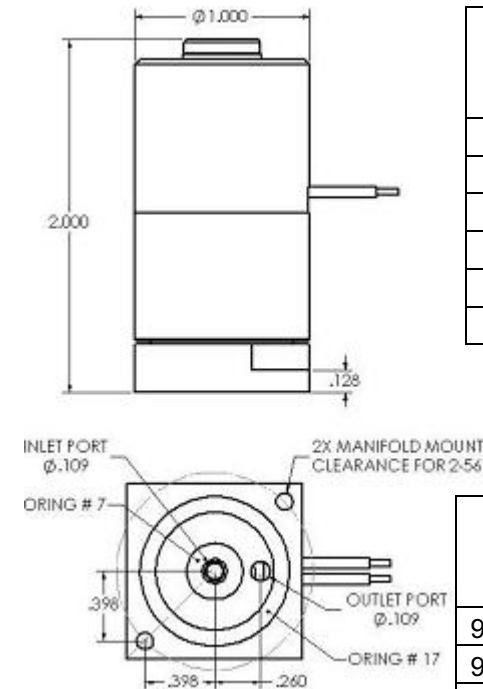
PART NUMBER	ORIFICE SIZE	VOLT	POWER WATTS	INLET NPT	OUTLET NPT	FLOW @ 100 PSI LPM	PRICE (EA)
930112-S	0.032	12	6.00	SCREW-IN BASE*		35	\$92.32
930212-S	0.062	12	6.00	SCREW-IN BASE*		90	\$92.32
930312-S	0.093	12	6.00	SCREW-IN BASE*		125	\$92.32
930124-S	0.032	24	6.00	SCREW-IN BASE*		35	\$92.32
930224-S	0.062	24	6.00	SCREW-IN BASE*		90	\$92.32
930324-S	0.093	24	6.00	SCREW-IN BASE*		125	\$92.32

SCREW-IN MOUNT: ISOLATED DIAPHRAGM SPECIFICATIONS

PART NUMBER	ORIFICE SIZE	VOLT	POWER WATTS	INLET NPT	OUTLET NPT	FLOW @ 100 PSI LPM	PRICE (EA)
930112-SD	0.032	12	6.00	SCREW-IN BASE*		35	\$123.45
930212-SD	0.062	12	6.00	SCREW-IN BASE*		90	\$123.45
930312-SD	0.093	12	6.00	SCREW-IN BASE*		125	\$123.45
930124-SD	0.032	24	6.00	SCREW-IN BASE*		35	\$123.45
930224-SD	0.062	24	6.00	SCREW-IN BASE*		90	\$123.45
930324-SD	0.093	24	6.00	SCREW-IN BASE*		125	\$123.45

**Please refer to dimensional drawing for mounting specifications*

MANIFOLD MOUNT: NON-ISOLATED SPECIFICATIONS



PART NUMBER	ORIFICE SIZE	VOLT	POWER WATTS	INLET NPT	OUTLET NPT	FLOW @ 100 PSI LPM	PRICE (EA)
930112-M	0.032	12	6.00	MANIFOLD MOUNT*		35	\$92.32
930212-M	0.062	12	6.00	MANIFOLD MOUNT*		90	\$92.32
930312-M	0.093	12	6.00	MANIFOLD MOUNT*		125	\$92.32
930124-M	0.032	24	6.00	MANIFOLD MOUNT*		35	\$92.32
930224-M	0.062	24	6.00	MANIFOLD MOUNT*		90	\$92.32
930324-M	0.093	24	6.00	MANIFOLD MOUNT*		125	\$92.32

MANIFOLD MOUNT: ISOLATED DIAPHRAGM SPECIFICATIONS

PART NUMBER	ORIFICE SIZE	VOLT	POWER WATTS	INLET NPT	OUTLET NPT	FLOW @ 100 PSI LPM	PRICE (EA)
930112-MD	0.032	12	6.00	MANIFOLD MOUNT*		35	\$123.45
930212-MD	0.062	12	6.00	MANIFOLD MOUNT*		90	\$123.45
930312-MD	0.093	12	6.00	MANIFOLD MOUNT*		125	\$123.45
930124-MD	0.032	24	6.00	MANIFOLD MOUNT*		35	\$123.45
930224-MD	0.062	24	6.00	MANIFOLD MOUNT*		90	\$123.45
930324-MD	0.093	24	6.00	MANIFOLD MOUNT*		125	\$123.45

**Please refer to dimensional drawing for mounting specifications*